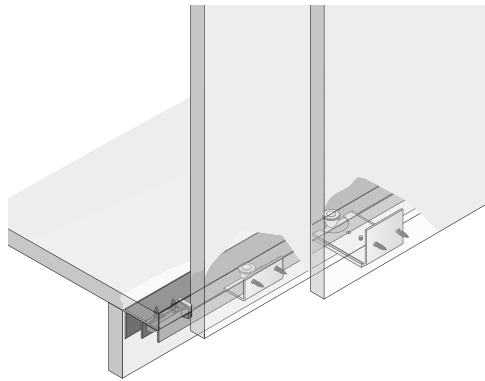


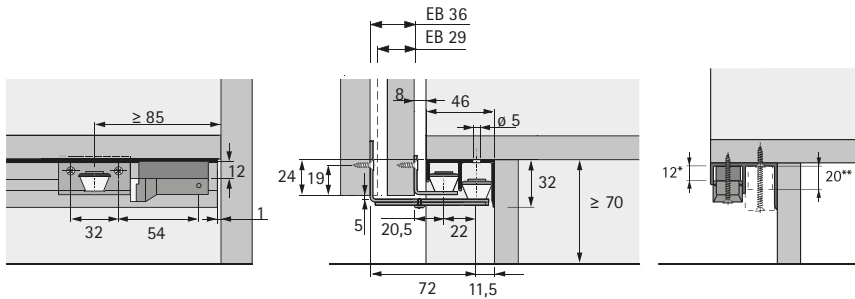
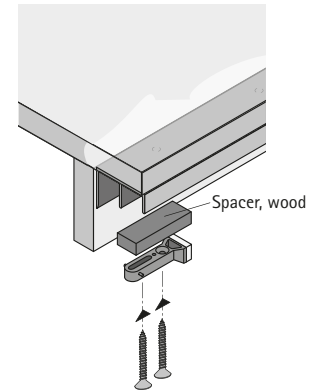
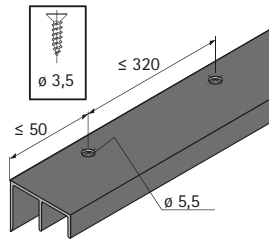
Sliding door system / top running

- ▶ TopLine 22 / overlay door position / door movement in front of top panel
- ▶ System components

STB 11 guide system



- ▶ Installation below bottom panel
- ▶ Plastic runner rollers with rubber tread for low noise
- ▶ Plinth with a deep recess, 46 mm
- ▶ Plinth height 70 mm min.
- ▶ The wide angle is adjustable, making it possible to use doors in a thickness of 16 – 19 mm.



- * Spacer, wood (dimensions 12 x 50 x 15 mm) for rear most door stop
- ** Spacer, wood (dimensions 20 x 50 x 15 mm) for front most door stop

STB 11 guide set



- ▶ Set contains the guide components for a 2-door cabinet
- ▶ Guide system below bottom panel
- ▶ Rollers made of plastic for quiet running

Set comprises:

- ▶ 2 guide components for front most door
- ▶ 2 guide components for rear most door
- ▶ 2 end stops for the guide profile

Advice:

- ▶ Please order profiles separately (see below)

Number of doors	Order no.	PU
2	0 045 080	1 set
3	0 045 081	1 set

STB 11 guide profile



- ▶ Aluminium, bright

Length mm	Order no.	PU
3000	0 071 117	1/4 ea.
6000	0 046 419	1/4 ea.